

FIG. 4



Wafer Transport System And Method

Woo Sik Yoo

M-11439 US 09/838,083

5/5

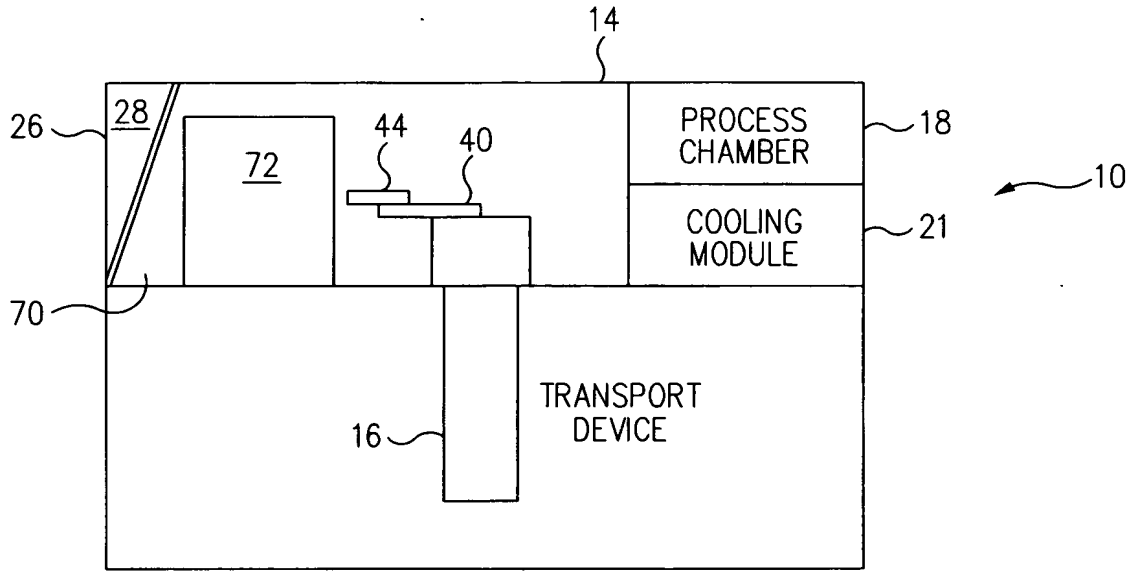


FIG. 5A

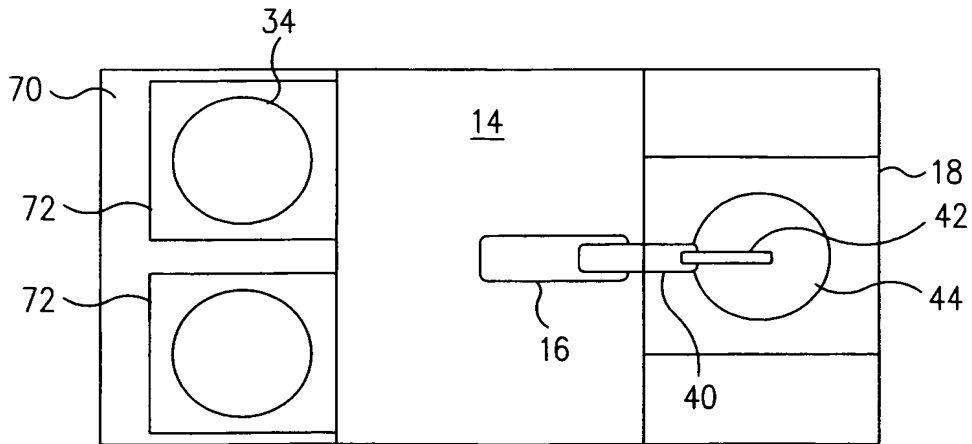


FIG. 5B